

# EVOSET

...for best measuring results

## TOOL MASTER QUADRA

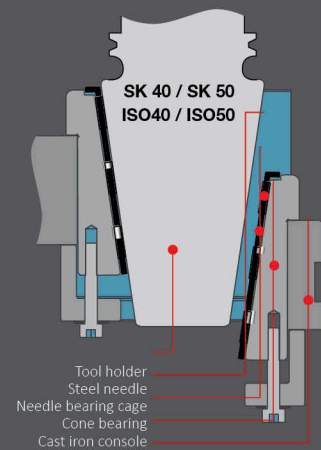
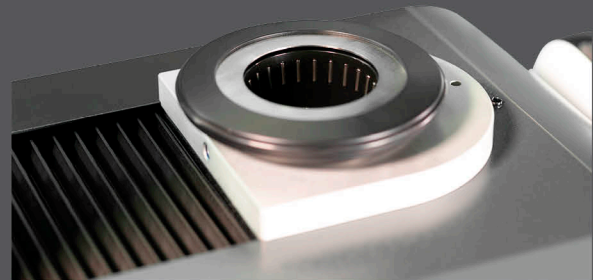
Manual presetting with fast, easy and highly precise measuring methods – the right solution for all users.

Equipped with the important professional measuring functions and for transferring tool data to the processing machines.



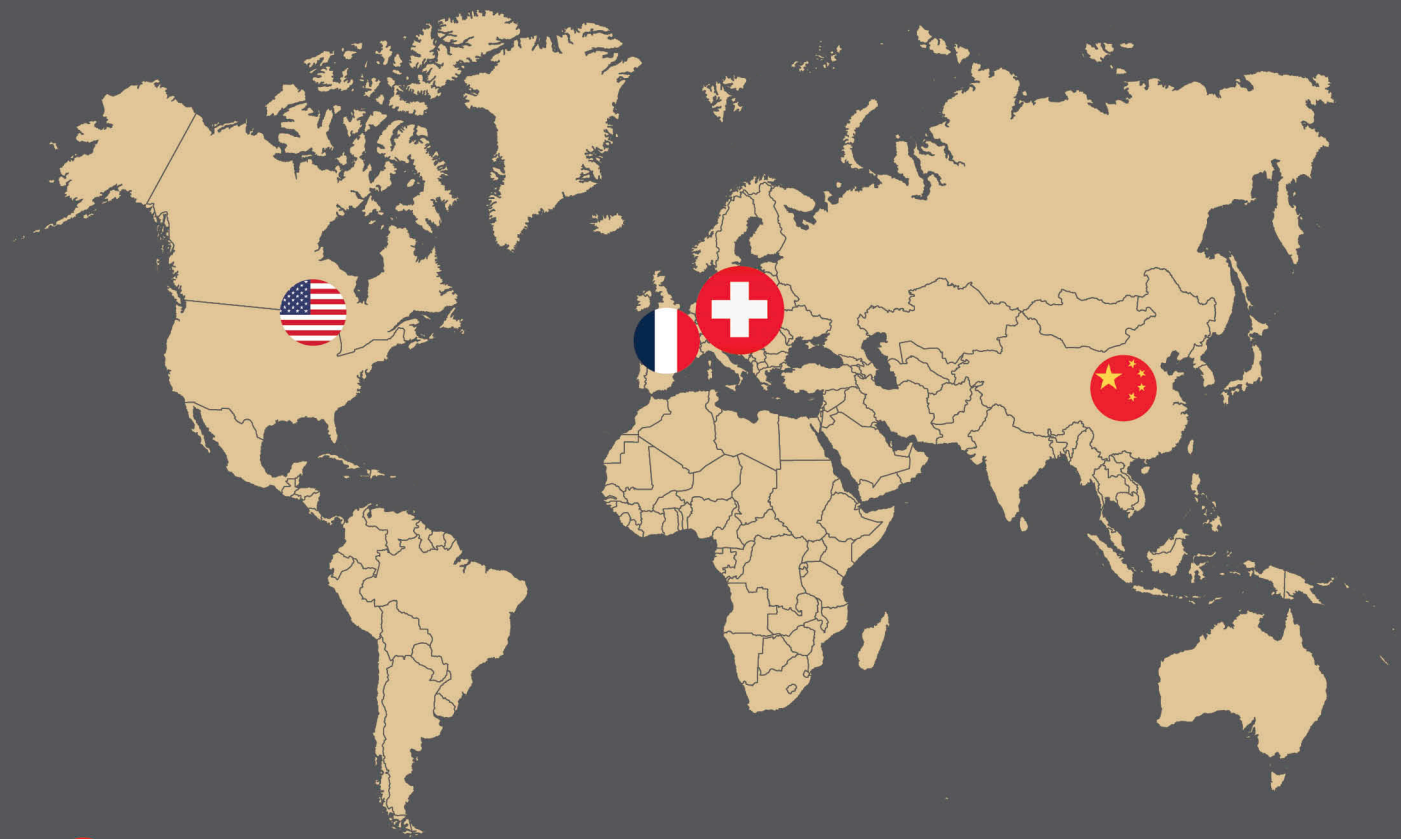
## ADVANTAGES

- Manual control in X | Z and C
- EyeRay® Software QUADRA
- All-in-One PC 20.0" with touchscreen technology
- Glass scale
- CMOS digital camera with tele centric lens
- EyeRay® autofocus: automatic and fast focusing of cutter
- Infinite fine adjustment in X- and Z-axes
- Measuring field offset in the X- and Z-axes
- With integral ISO50 or ISO40 spindles
- Spindle clamping
- Adapter and tool management
- Label printer
- Device table
- Tray for toolholders
- Link to all machine controls and manufacturing processes
- Highest safety standards
- Maximum measuring repeating accuracy



## TECHNICAL DATA

TYPE	Pneumatic clamping practical design and ease of use
MEASURING RANGE	ø mm 400 / L mm 40 .... 400 ø mm 400 / L mm 40 .... 600 ø mm 600 / L mm 40 .... 400 ø mm 600 / L mm 40 .... 600  on request different measuring ranges available
AXIS FIXATION	Pneumatic
FINE ADJUSTMENT	Handwheel per axis
TOOL MOUNTING	Needle bearings or KV spindle with rotation clamp and vacuum feeder
SOFTWARE	Image processing with EyeRay® QUADRA



 Headquarter & Production facility

 Technical office

 Technical office

 Technical & Sales office

**EVOSET AG** | Alustrasse 18 | 3940 Steg | Switzerland

**EVOSET AG** | Hüttenwiesenstrasse 8 | 8108 Dällikon | Switzerland

Fon +41 27 922 04 50, [info@evoset.com](mailto:info@evoset.com)

[www.evoset.com](http://www.evoset.com)

#### **EVOSET (EU) CTI**

155B Chemin de Servannes  
13200 Arles, France  
Fon +33 4 90 96 83 33  
[contact@winpreset.com](mailto:contact@winpreset.com)

#### **EVOSET (Asia) China**

No. 1215 Newton office  
Hai Dian District  
No. 25 Lan Chang South R.  
100097 Beijing P.R. China  
Fon +86 139 1107 6044

#### **EVOSET US**

Holts Precision Inc.  
400 Chapel Rd. Unit 3A  
South Windsor, CT 06074  
USA  
Fon +1 860 289 4243